

PRODUCT INFORMATION PACKET



Model No: B199024.00
Catalog No: B199024.00
30 HP General Purpose Motor, 3 phase, 3600 RPM, 230/460 V, 286TS Frame, TEFC
Three Phase TEFC Motors



Regal and Leeson are trademarks of Regal Beloit Corporation or one of its affiliated companies.
©2019 Regal Beloit Corporation, All Rights Reserved. MC017097E

The Regal logo is located in the bottom right corner. It features the word "REGAL" in a white, sans-serif font, set against a dark grey, trapezoidal background. The background of the entire page on the right side is a blue gradient with a fine, repeating pattern.



Nameplate Specifications

Output HP	30 Hp	Output KW	22.4 kW
Frequency	60 Hz	Voltage	230/460 V
Current	71.0/35.5 A	Speed	3550 rpm
Service Factor	1.15	Phase	3
Efficiency	91.7 %	Power Factor	86.5
Duty	Continuous	Insulation Class	F
Design Code	B	KVA Code	G
Frame	286TS	Enclosure	Totally Enclosed Fan Cooled
Thermal Protection	No	Ambient Temperature	40 °C
Drive End Bearing Size	6311	Opp Drive End Bearing Size	6211
UL	Listed	CSA	Y
CE	Y	IP Code	55

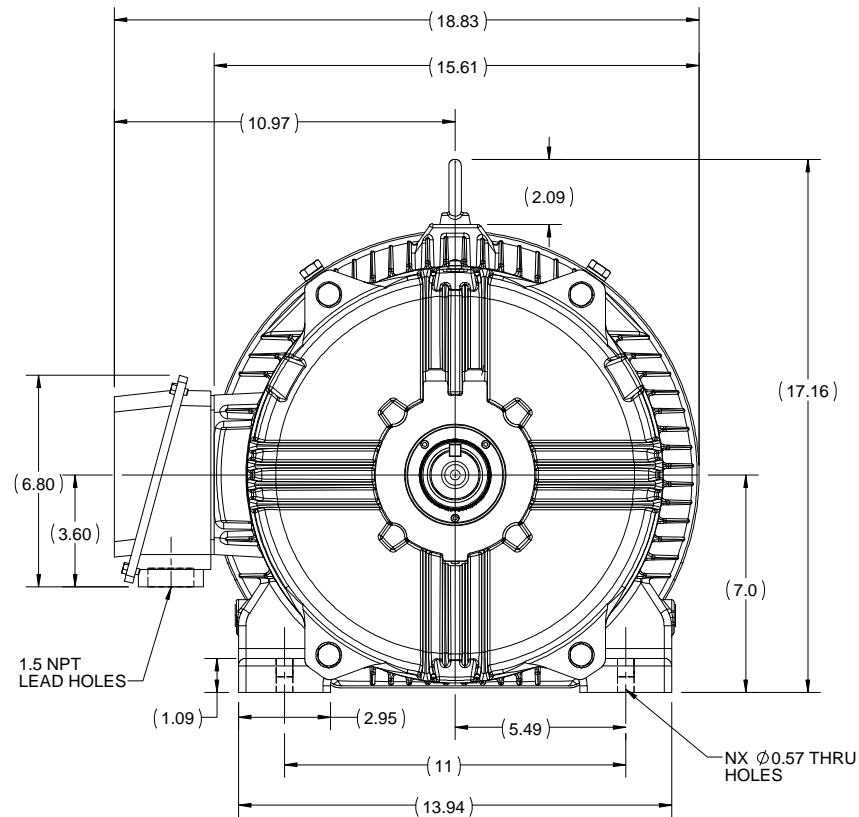
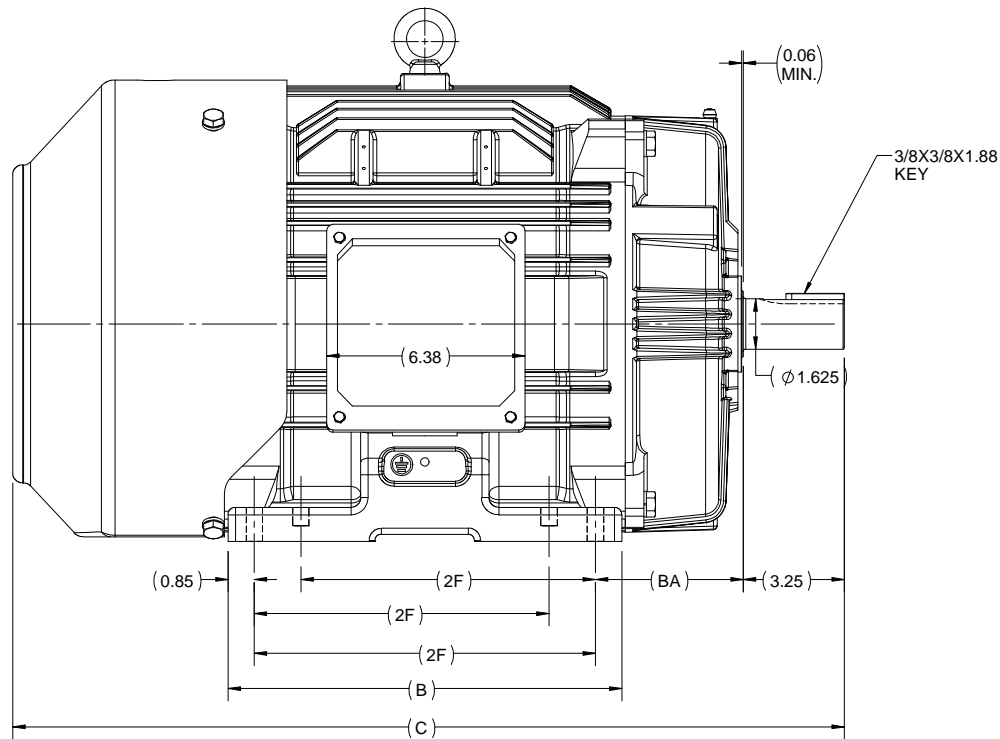
Technical Specifications

Electrical Type	Squirrel Cage Inverter Rated	Starting Method	Wye Start Delta Run Or Inverter
Poles	2	Rotation	Reversible
Resistance Main	.338 Ohms	Mounting	Rigid Base
Motor Orientation	Horizontal	Drive End Bearing	Ball
Opp Drive End Bearing	Ball	Frame Material	Cast Iron
Shaft Type	TS	Overall Length	26.77 in
Frame Length	2.86 in	Shaft Diameter	1.625 in
Shaft Extension	3.25 in	Assembly/Box Mounting	F1/F2 CAPABLE

This is an uncontrolled document once printed or downloaded and is subject to change without notice. Date Created:01/11/2019

B

B



A

A

286	12.32	26.77	11	8	4.75
284	10.82	25.28	9.5	4	4.75
FRAME	B	C	2F	N	BA

DRAWING REVISION B	REVISION BY S.MUDDA	DATE 29/8/2018
ECO ECO-0151027	APPROVED BY JAY	DATE 29/8/2018
ECO DESCRIPTION OUTLINE UPDATED AS PER NEW 3D STRUCTURING COPYRIGHT REGAL BELOIT AMERICA, INC. ALL RIGHTS RESERVED. PROPRIETARY AND CONFIDENTIAL INFORMATION - THIS DOCUMENT IS THE PROPERTY OF REGAL BELOIT AMERICA, INC. (OWNER) AND CONTAINS OWNER'S PROPRIETARY INFORMATION. ANY PERSON, CORPORATION OR OTHER FIRM RECEIVING IT IS DEEMED, BY RECEIVING IT, TO AGREE THAT IT, AND/OR ANY PART OF IT, SHALL NOT BE DISCLOSED TO ANY PERSON, CORPORATION OR OTHER ENTITY, DUPLICATED, AND/OR USED, EXCEPT AS EXPRESSLY APPROVED IN WRITING IN ADVANCE BY OWNER. THIS DOCUMENT SHALL BE RETURNED TO OWNER UPON REQUEST. IT MAY BE SUBJECT TO CERTAIN RESTRICTIONS UNDER APPLICABLE EXPORT CONTROL LAWS AND REGULATIONS.		

DRAWN BY SMAR	REGAL BELOIT CORPORATION
DATE 07/07/2015	
APPROVED BY SBD	DESCRIPTION OUTLINE
DATE 07/07/2015	284/286TS FR-TEFC-CAST IRON
REFERENCE	MATERIAL PROCESS/FINISH
THIRD ANGLE PROJECTION	SIZE DRAWING NUMBER SS620698
	SHEET 1 OF 1



LOW VOLTAGE



HIGH VOLTAGE



DRAWING REVISION K	REVISION BY AJW	DATE 07-17-2015
ECO ECO-0081632	APPROVED BY T. VUE	DATE 07-17-2015
ECO DESCRIPTION REV'D IEC MARKINGS PER IEC 60034-8		
<small>COPYRIGHT REGAL BELOIT AMERICA, INC. ALL RIGHTS RESERVED. PROPRIETARY AND CONFIDENTIAL INFORMATION - THIS DOCUMENT IS THE PROPERTY OF REGAL BELOIT AMERICA, INC. ("OWNER") AND CONTAINS OWNER'S PROPRIETARY INFORMATION. ANY PERSON, CORPORATION OR OTHER FIRM RECEIVING IT IS DEEMED, BY RECEIVING IT, TO AGREE THAT IT, AND/OR ANY PART OF IT, SHALL NOT BE DISCLOSED TO ANY PERSON, CORPORATION OR OTHER ENTITY, DUPLICATED, AND/OR USED, EXCEPT AS EXPRESSLY APPROVED IN WRITING IN ADVANCE BY OWNER. THIS DOCUMENT SHALL BE RETURNED TO OWNER UPON REQUEST. IT MAY BE SUBJECT TO CERTAIN RESTRICTIONS UNDER APPLICABLE EXPORT CONTROL LAWS AND REGULATIONS.</small>		



DRAWN BY LZ	Regal Beloit America, Inc.	
DATE 01-12-1994		
APPROVED BY GK	DESCRIPTION CONN DIAGRAM-EXTERNAL 3Ø-2/1 DELTA-12 LEADS	
DATE 01-14-1994		
REFERENCE	MATERIAL	PROCESS/FINISH
THIRD ANGLE PROJECTION	SIZE A	DRAWING NUMBER EE7308AA
		SHEET 1 OF 1